



Research Article

Role of Crown Height to Achieve Perfect Fit in Two-Piece Sleeve

Umair Khan* and Joshi KD

Abstract

The purpose of this study is to understand the role of crown height and how crown height helps to get the perfect fit in Two – piece sleeve. The Pattern has a major role in garment industry, as it helps in making a good sample and executing the order to the satisfaction of the buyer. A Perfect understanding of pattern making is required to customize the garment according to the body type, comfort and design requirements and expectations.

While making the pattern, some parts, dimensions and its variations are crucial while constructing the whole garment. A thorough understanding of these parts, dimensions, variations and its effects is thus essential for smooth construction of the garments.

Keywords

Sleeve, Pattern, Crown Height

Introduction

Two piece(s) sleeve are generally used in jackets and sherwani which are types of outerwear. Outer wears are usually fitted garments. But now a days the two-piece sleeves also used in some upper garments, which is according to the demands of design, fit and choice.

Crown height makes a very significant contribution to the pattern contour of two-piece sleeve. That's why crown Height is considered as very important dimension of the sleeve. An accurate crown height is paramount in achieving a good fit in the apparel. Taking the wrong crown height can greatly affect the look and fit of the garment. The body type and choice of the consumer are two important aspects which decide the fit of the garment.

So, it is very important to understand what a crown height is.

According to Shoben [1] – Measures from underarms to the shoulder end Figure 1.

According to Armstrong [2] – Distance biceps to cap at center. Figure 2.

Many Scholars have explained the crown height according to their logic. The influence of crown height is not only on the fit of garment which uses two-piece sleeves but also on ethnic wear (i.e. Saree, Blouse and Kurta), western wear (i.e. dresses) and Body fit category garments.

Methodology

First we need to understand meaning of crown height is. How it

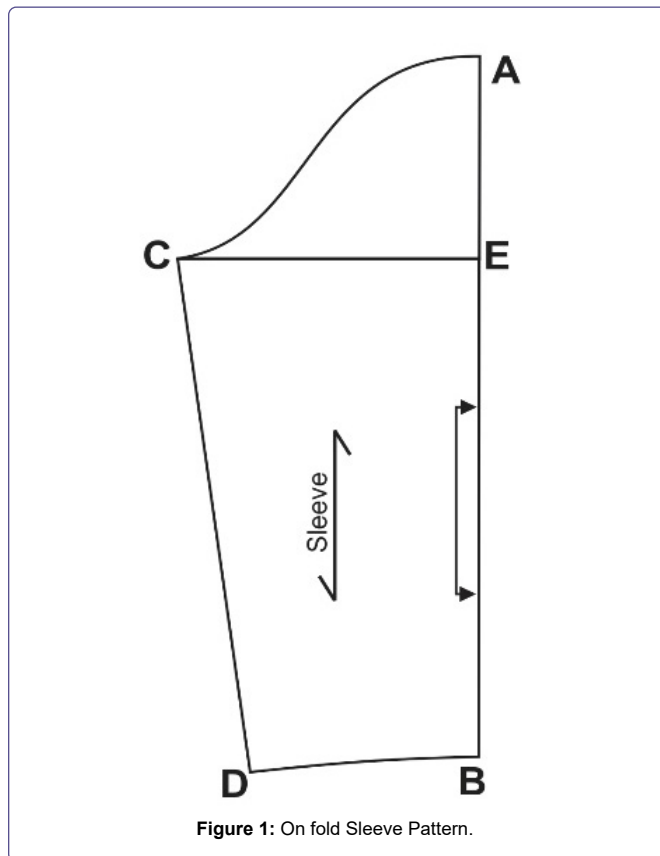


Figure 1: On fold Sleeve Pattern.

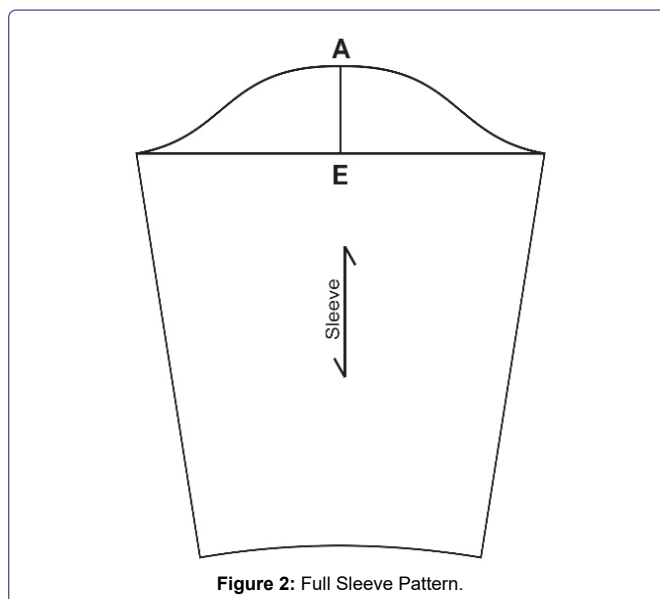


Figure 2: Full Sleeve Pattern.

works? If we understand it scientifically than it is Figure 3
Upper arm length – Under arm length = Crown Height.

*Corresponding author: Umair Khan, Department of Design, Banasthali Vidyapith, Rajasthan, India 304022. E-mail: uakhan48@gmail.com

Received: December 02, 2020 Accepted: March 20, 2021 Published: March 27, 2021

A-B=upper arm length

E- B= under arm length

A-E= crown height

A-B is the highest Crown height. It can be increased and decreased according to the size as it is shown in the Figure 4.

Effect of crown height.

Let's understand it with the help of Figure 5.

If we maximize the crown height at the sleeves, then we see that the sleeve would fit on the biceps and wrinkles begin to fall on the sleeve cap [3,4]. It decreases the hand lifting. This problem mostly comes in outwear. We understand this by Figure 6 and 7.

Eg. In case the crown height in the jacket sleeve is increased, two-piece sleeves get tighter on the bicep and arm movement decreases.

If we take medium crown heights then the sleeve neither will be too tight on biceps nor is it too loose. And [5] sleeve movement is also fine. We understand this by Figure 8 and 9.

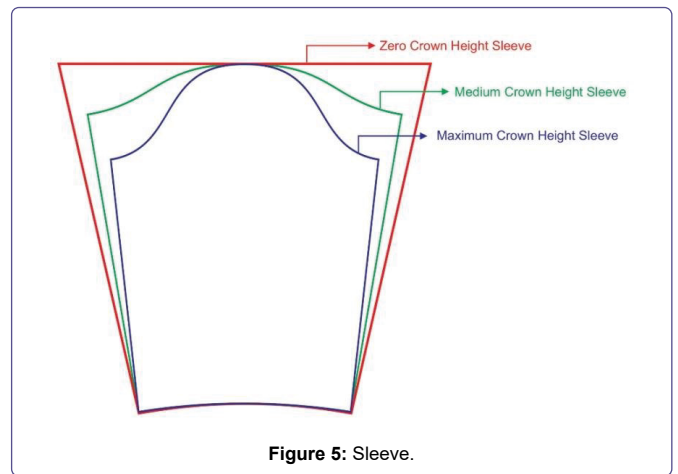


Figure 5: Sleeve.

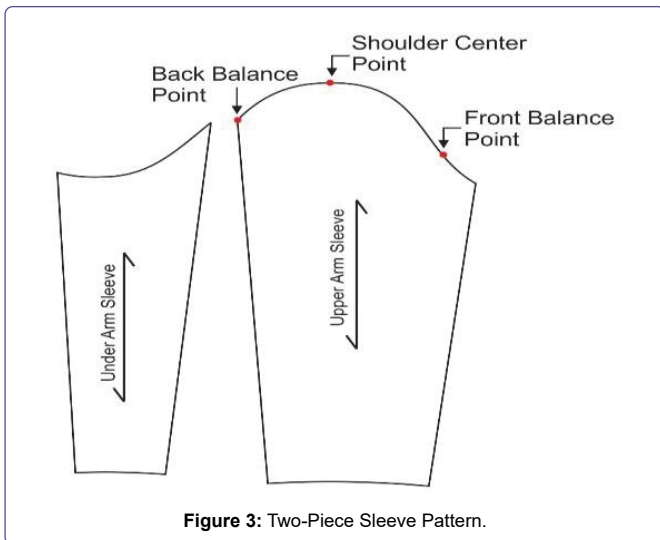


Figure 3: Two-Piece Sleeve Pattern.

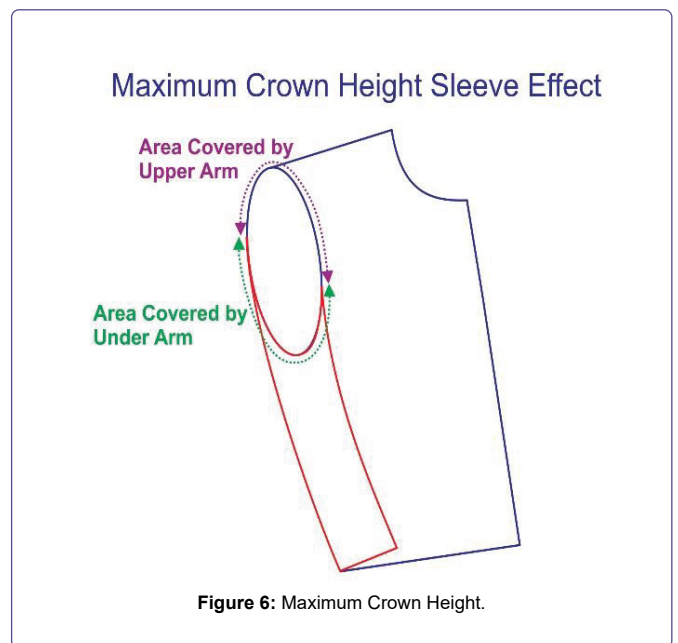


Figure 6: Maximum Crown Height.

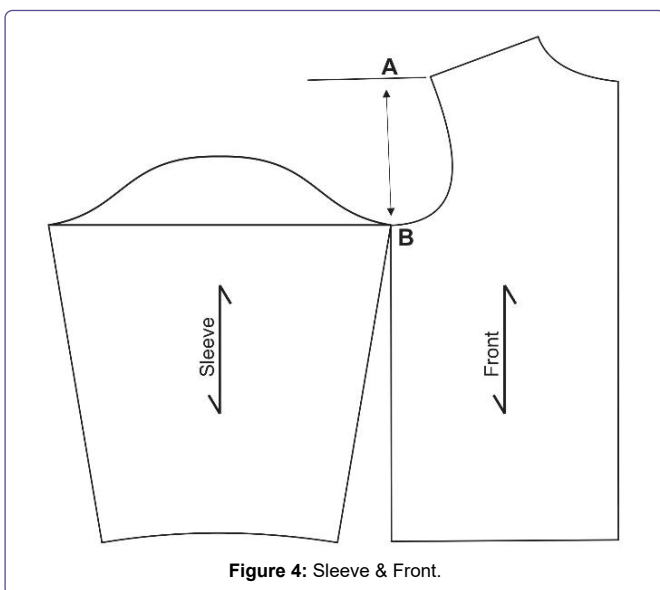


Figure 4: Sleeve & Front.

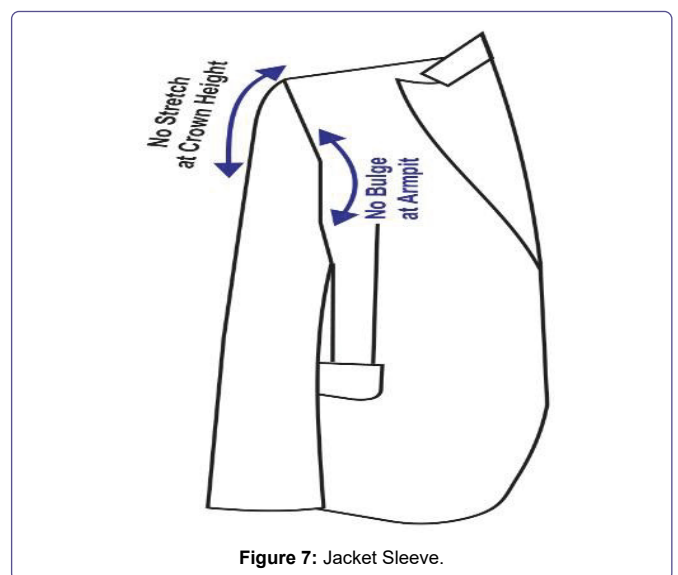


Figure 7: Jacket Sleeve.

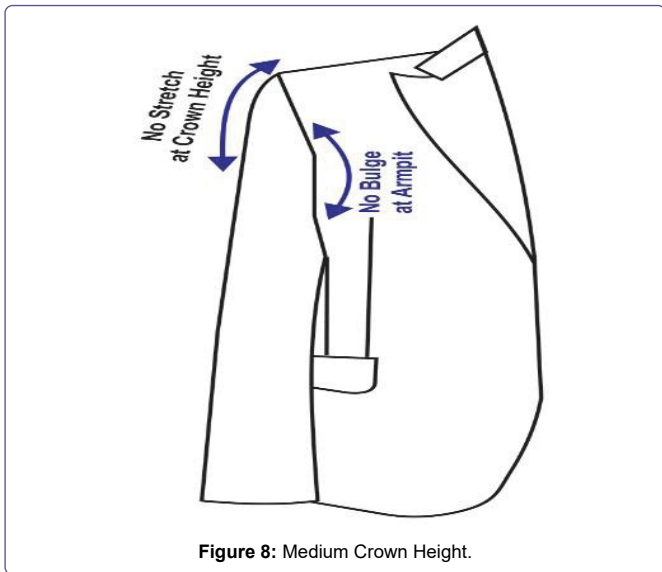


Figure 8: Medium Crown Height.

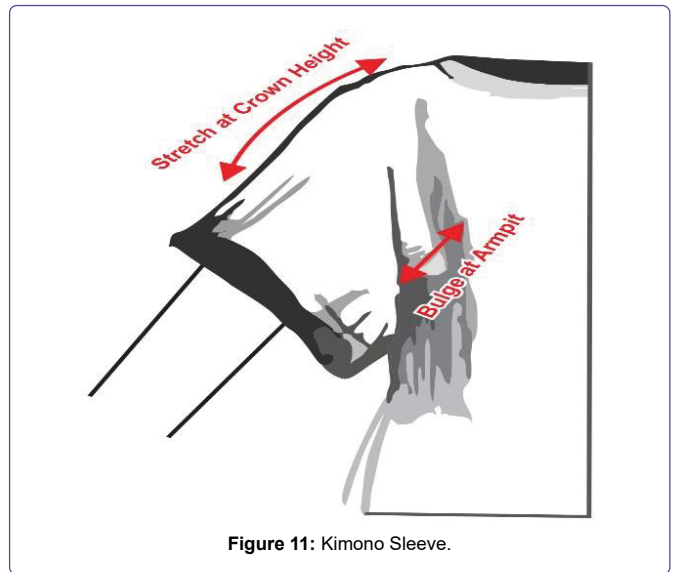


Figure 11: Kimono Sleeve.

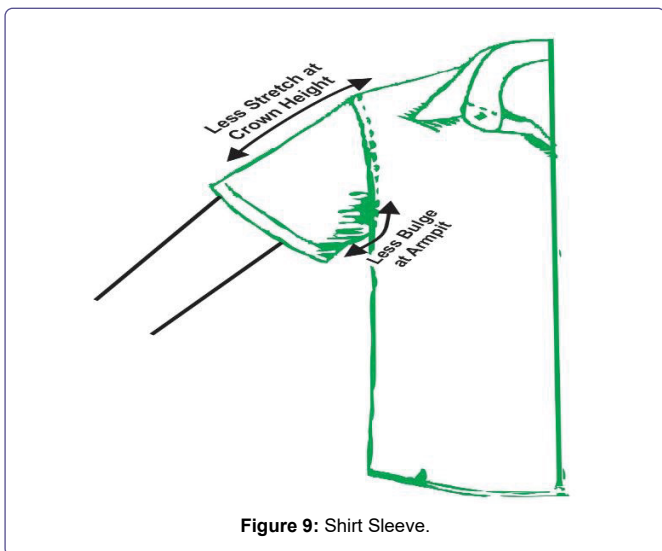


Figure 9: Shirt Sleeve.

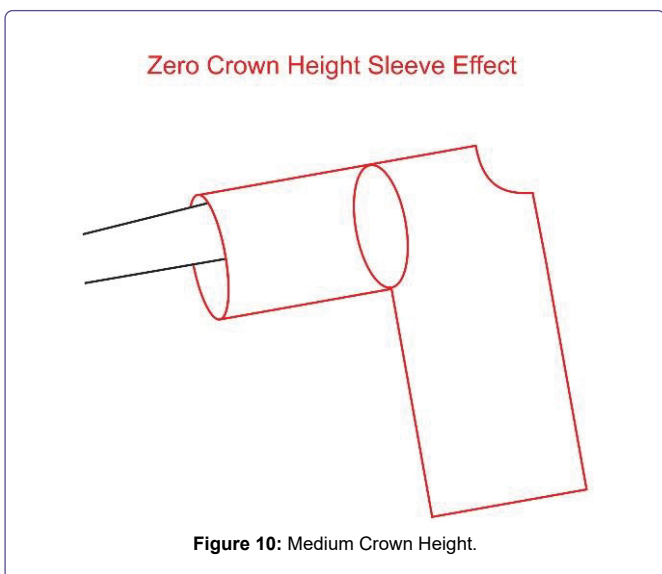


Figure 10: Medium Crown Height.

Eg: In Men shirt's sleeve pattern, crown height is medium.

If we take zero [6,7] crown height then sleeve becomes very tight on the [8] bicep. And it increases the arm movement. We can understand this with the help of Figure 10 and 11.

The crown height is zero in kalidar kurta and kimono.

Result

In this study, we reviewed the effect of crown height on two-piece sleeve and on the normal sleeve and its contribution to the fitting, comfort and design which is proved by review of variations.

Importance of Crown Height for Perfect Fit

1. Crown height should be taken according to required fit, design and comfort options.
2. Excessive crown height makes the garment uncomfortable.
3. Taking the crown height zero causes the sleeve to loosen too much and gather on the underarms.
4. The higher the crown height, the more sleeve will fit on the biceps.
5. The lower the crown height, the looser will be the sleeve on the biceps.

Conclusion

This paper shows how we can get the perfect crown height according to the garment, body type and fit design. In this study, we study the correct crown height by using manual pattern making.

This pattern making cannot only reduce human effort and production time but also generate individualized sleeve pattern from specific body measurement to attain a good fit.

Future study may look into 'Importance of Sleeve Balancing', and additional aspects related to garment fit.

References

1. Shoben M, Ward J (1987) Pattern cutting and making up: The professional approach. Routledge. 1:21.

2. Armstrong HJ, Maruzzi VJ (2010) Pattern making for fashion design. Prentice hall, Pp 328-329.
3. Knowles LA (2006) The practical guide to patternmaking for fashion designers: menswear. Fairchild. Pp 64.
4. Aldrich W (2011) Metric pattern cutting for menswear. Wiley. 5:20-21.
5. Bray N, Haggart A (2003) More dress pattern designing. Granada. Pp 66.
6. Friendship E (2014) Pattern cutting for men's costume. Bloomsbury Publishing, Pp 29.
7. Kopp E (1982) Designing apparel through the flat pattern. Fairchild Publications Pp 233.
8. Aldrich W (2002) Pattern cutting for women's tailored Jackets: Classic and contemporary. Blackwell Sci. Pp 38-39.

Author Affiliations

[Top](#)

Department of Design, Banasthali Vidyapith, Rajasthan, India.

Submit your next manuscript and get advantages of SciTechnol submissions

- ❖ 80 Journals
- ❖ 21 Day rapid review process
- ❖ 3000 Editorial team
- ❖ 5 Million readers
- ❖ More than 5000 
- ❖ Quality and quick review processing through Editorial Manager System

Submit your next manuscript at • www.scitechnol.com/submission